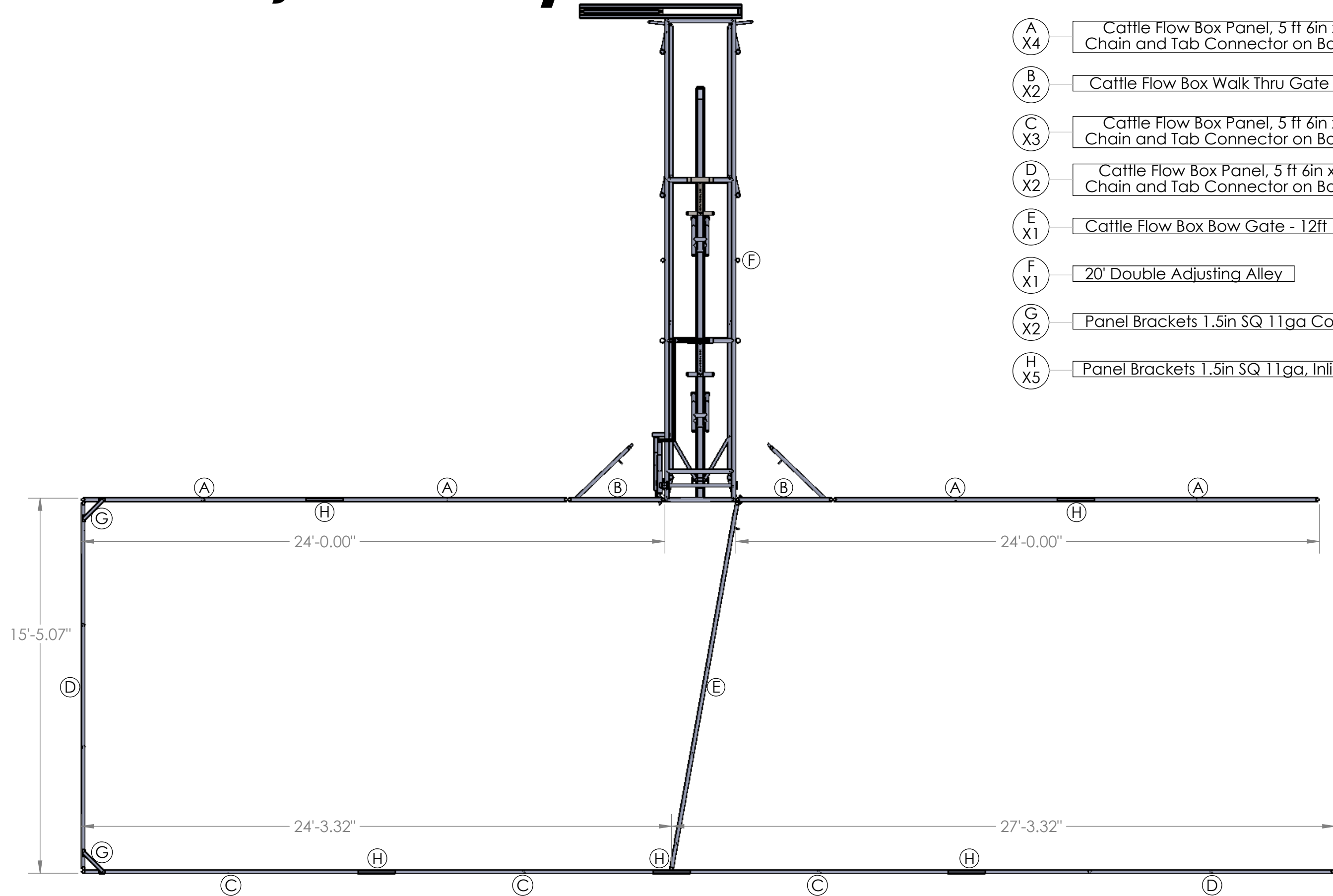


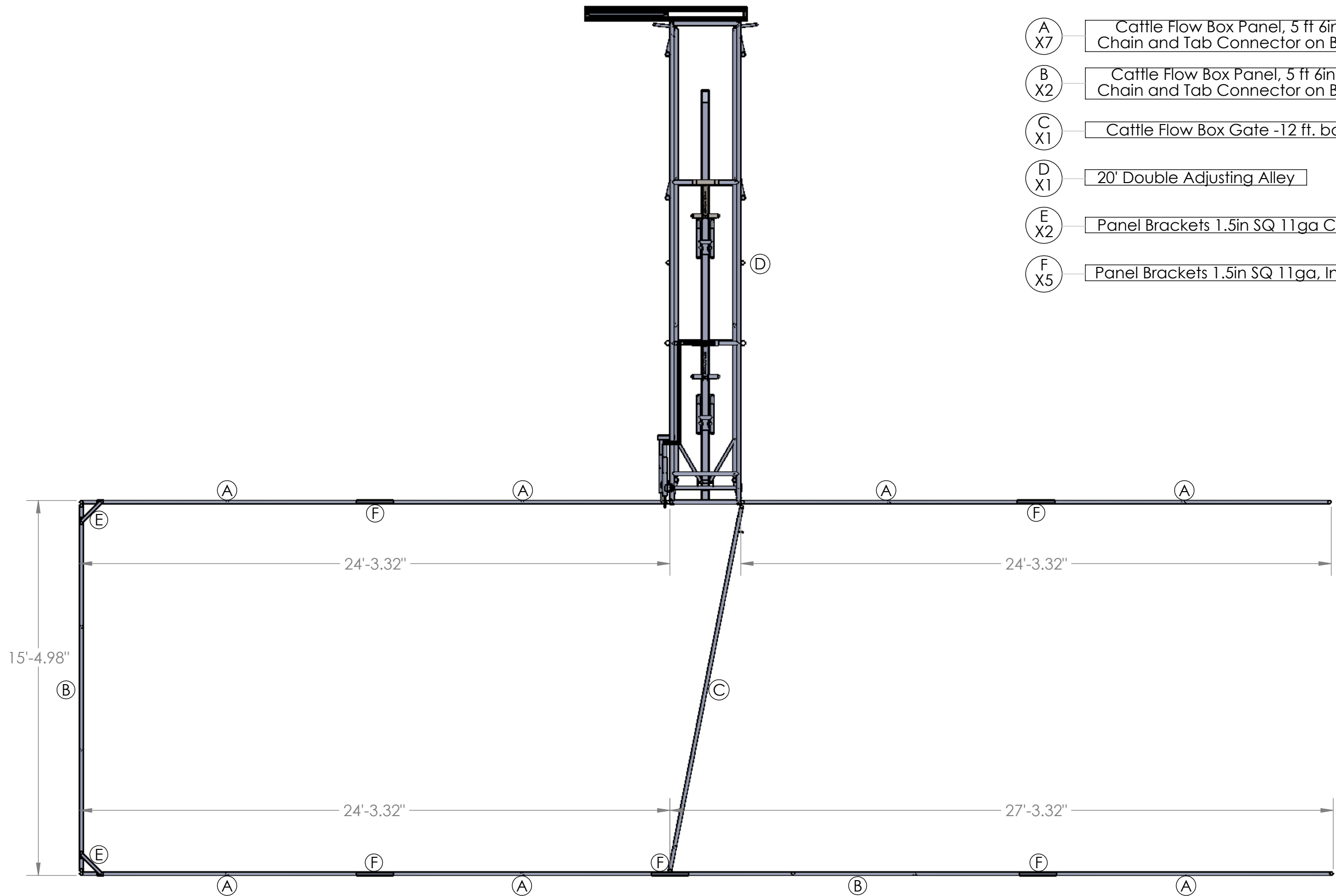
Goatb Pipe & Steel Sales

- Ⓐ X4 Cattle Flow Box Panel, 5 ft 6in x 10 ft.
Chain and Tab Connector on Both Sides
- Ⓑ X2 Cattle Flow Box Walk Thru Gate 4ft x 8 ft.
- Ⓒ X3 Cattle Flow Box Panel, 5 ft 6in x 12 ft.
Chain and Tab Connector on Both Sides
- Ⓓ X2 Cattle Flow Box Panel, 5 ft 6in x 15 ft.
Chain and Tab Connector on Both Sides
- Ⓔ X1 Cattle Flow Box Bow Gate - 12ft
- Ⓕ X1 20' Double Adjusting Alley
- Ⓖ X2 Panel Brackets 1.5in SQ 11ga Corner
- Ⓗ X5 Panel Brackets 1.5in SQ 11ga, Inline

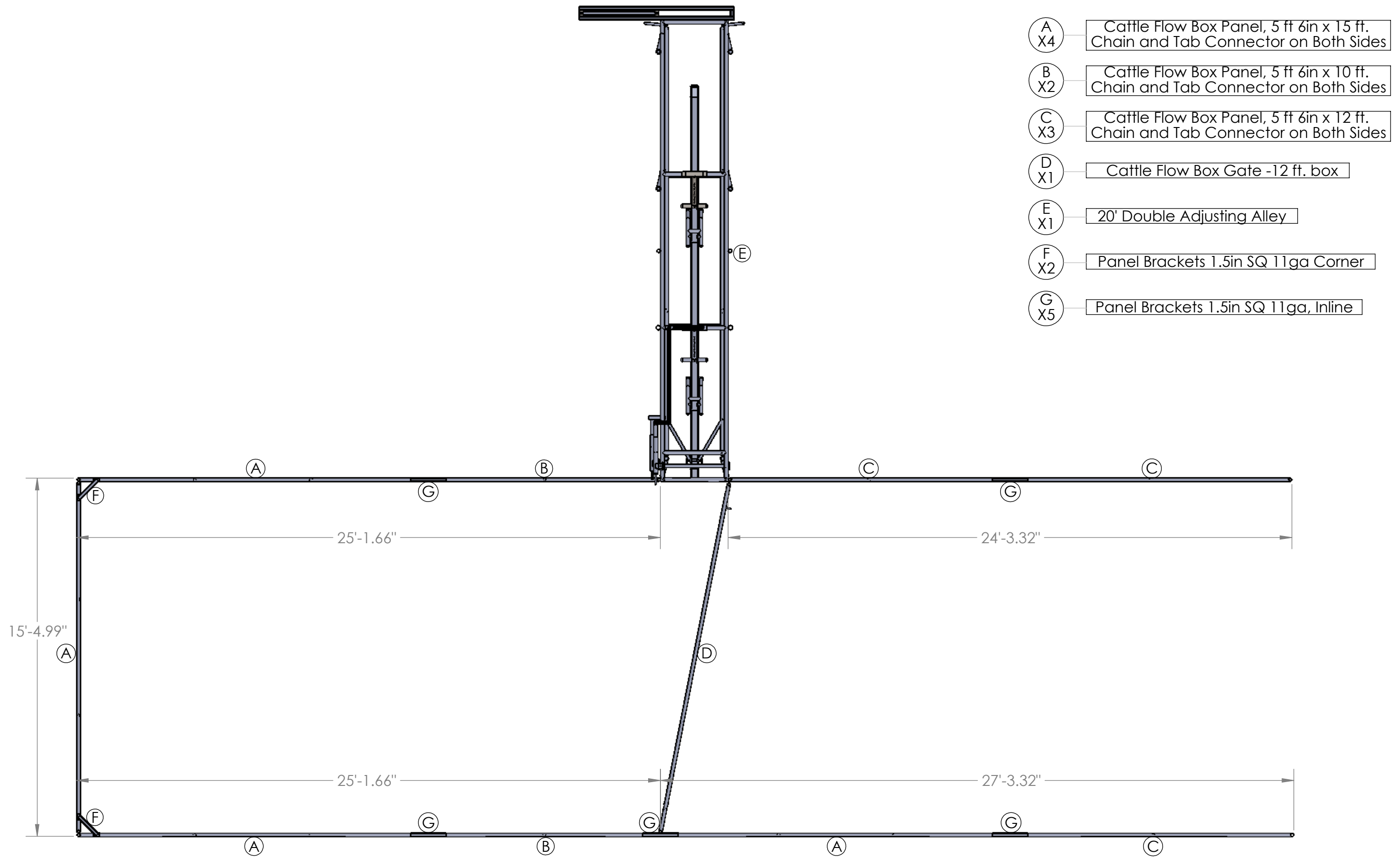


*Horseback Work 15' Portable
Cattle Flow Box A*

- (A) X7 Cattle Flow Box Panel, 5 ft 6in x 12 ft. Chain and Tab Connector on Both Sides
- (B) X2 Cattle Flow Box Panel, 5 ft 6in x 15 ft. Chain and Tab Connector on Both Sides
- (C) X1 Cattle Flow Box Gate -12 ft. box
- (D) X1 20' Double Adjusting Alley
- (E) X2 Panel Brackets 1.5in SQ 11ga Corner
- (F) X5 Panel Brackets 1.5in SQ 11ga, Inline



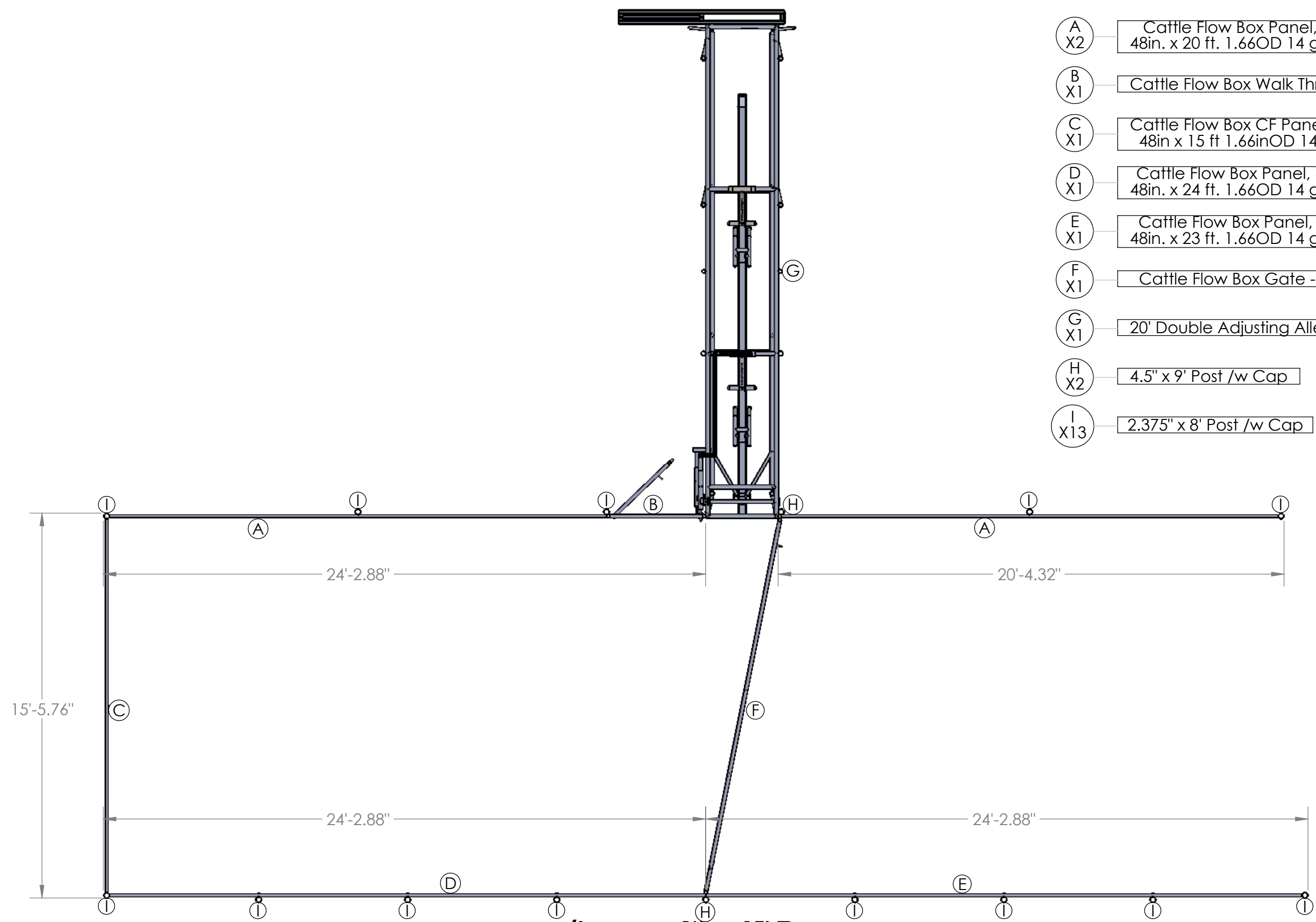
*Horseback Work 15' Portable
Cattle Flow Box B*



- (A) X4 Cattle Flow Box Panel, 5 ft 6in x 15 ft. Chain and Tab Connector on Both Sides
- (B) X2 Cattle Flow Box Panel, 5 ft 6in x 10 ft. Chain and Tab Connector on Both Sides
- (C) X3 Cattle Flow Box Panel, 5 ft 6in x 12 ft. Chain and Tab Connector on Both Sides
- (D) X1 Cattle Flow Box Gate -12 ft. box
- (E) X1 20' Double Adjusting Alley
- (F) X2 Panel Brackets 1.5in SQ 11ga Corner
- (G) X5 Panel Brackets 1.5in SQ 11ga, Inline

***Horseback Work 15' Portable
Cattle Flow Box C***

- (A) X2 Cattle Flow Box Panel, 6-Rail
48in. x 20 ft. 1.66OD 14 ga. Flat
- (B) X1 Cattle Flow Box Walk Thru Gate 4ft x 8 ft.
- (C) X1 Cattle Flow Box CF Panel, 6-Rail
48in x 15 ft 1.66inOD 14ga,Flat
- (D) X1 Cattle Flow Box Panel, 6-Rail
48in. x 24 ft. 1.66OD 14 ga. Flat
- (E) X1 Cattle Flow Box Panel, 6-Rail
48in. x 23 ft. 1.66OD 14 ga. Flat
- (F) X1 Cattle Flow Box Gate -12 ft. box
- (G) X1 20' Double Adjusting Alley
- (H) X2 4.5" x 9' Post /w Cap
- (I) X13 2.375" x 8' Post /w Cap



*Horseback Work 15' Permanent
Cattle Flow Box A*