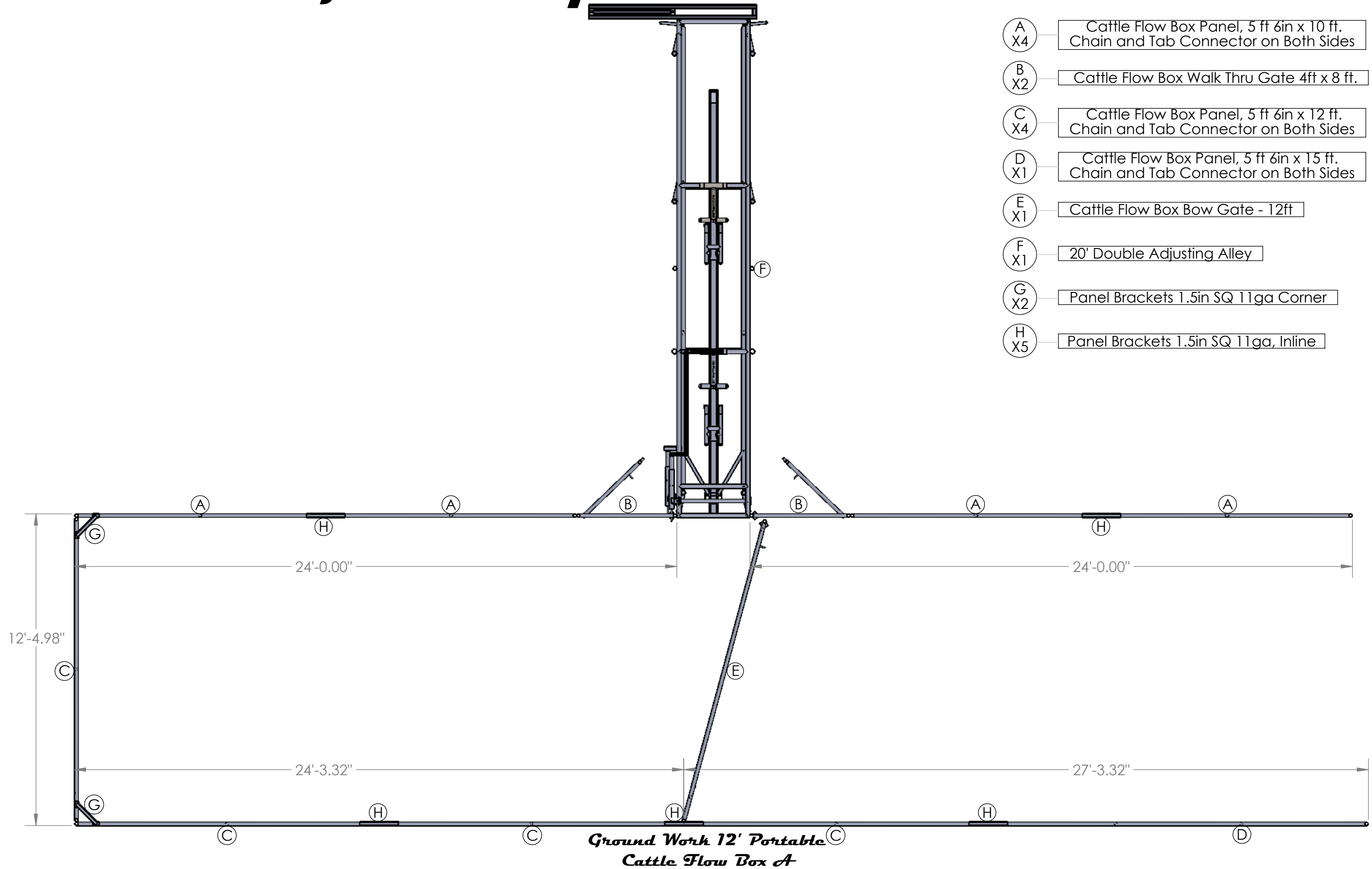
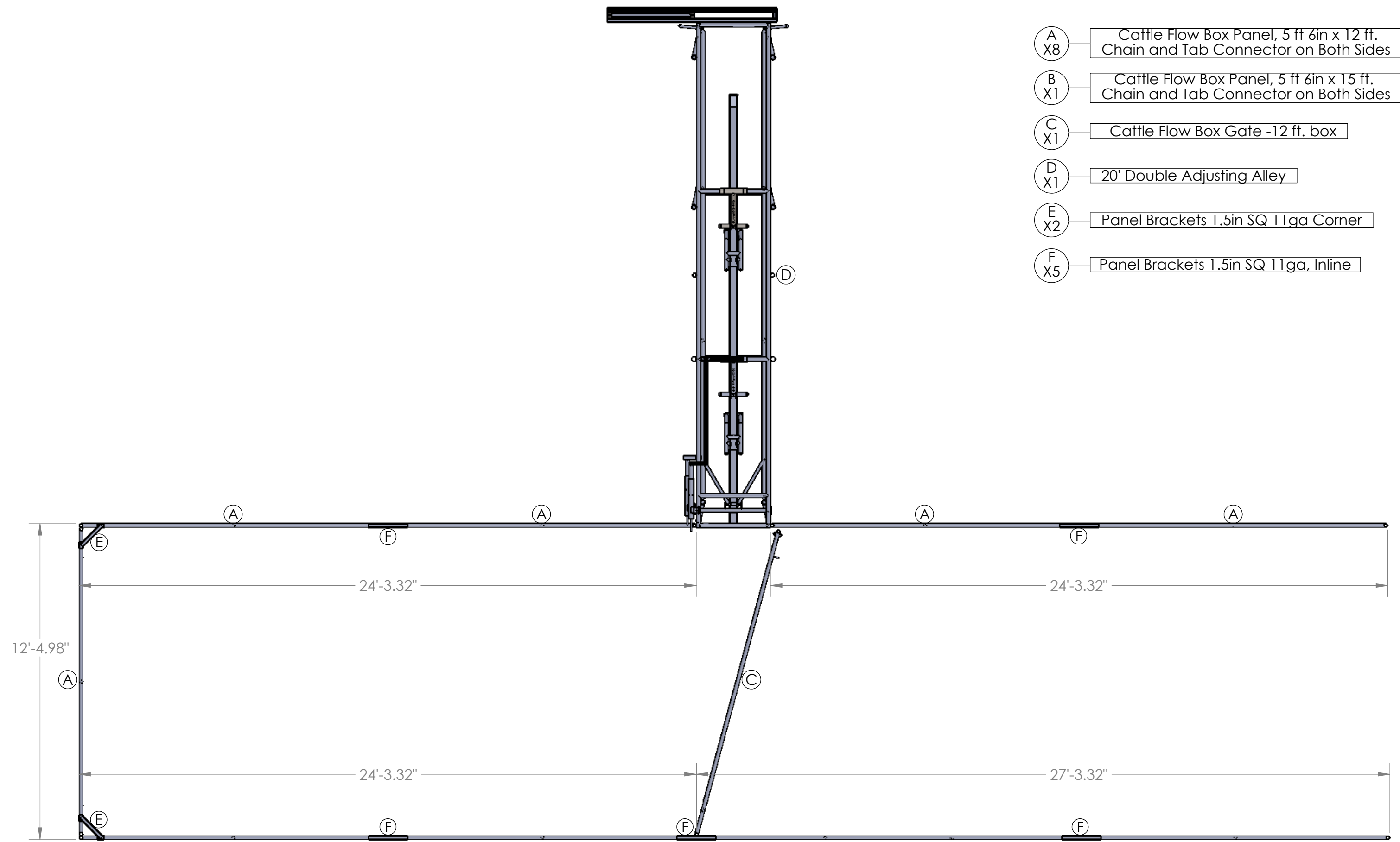


Goatb Pipe & Steel Sales

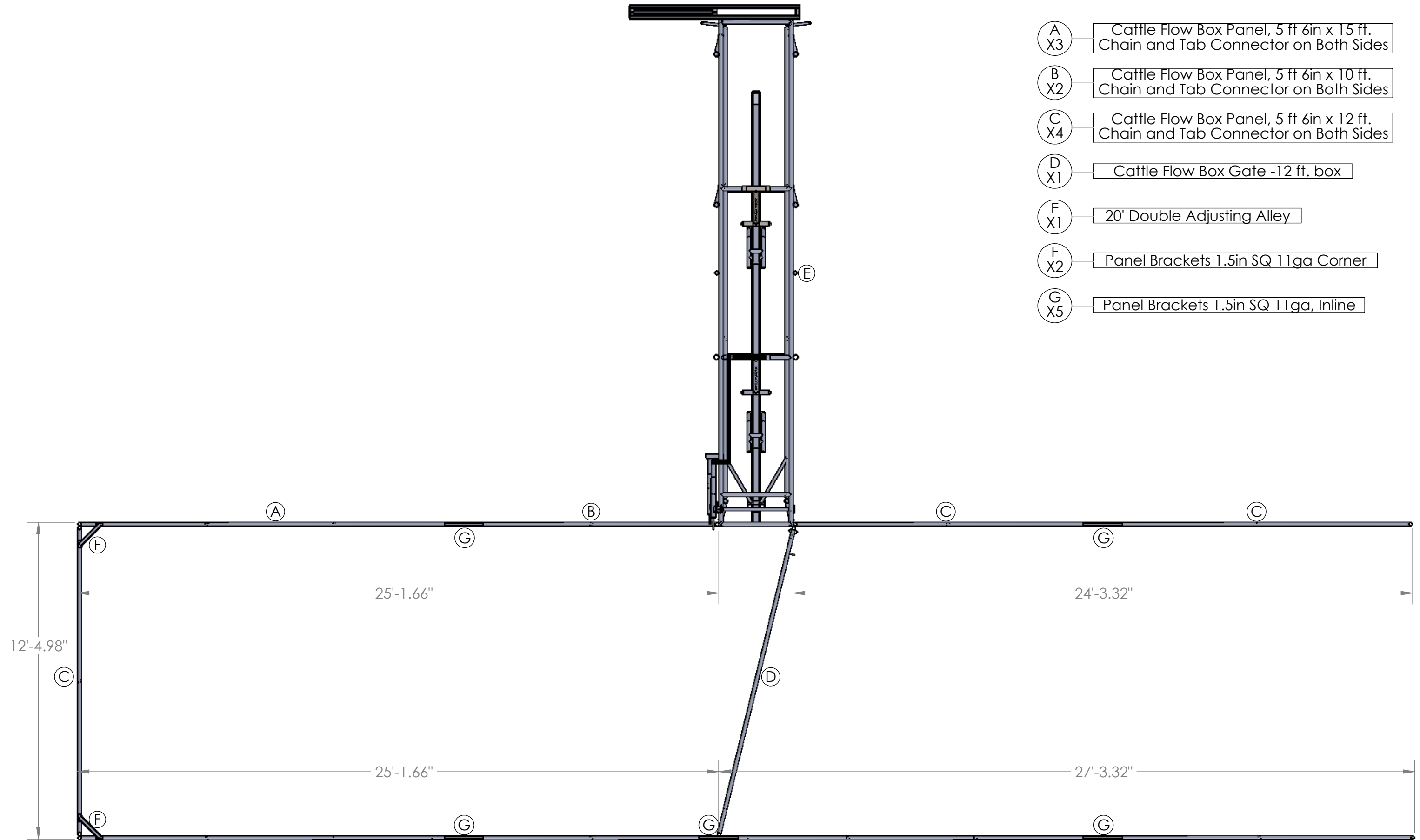
- (A) X4 Cattle Flow Box Panel, 5 ft 6in x 10 ft. Chain and Tab Connector on Both Sides
- (B) X2 Cattle Flow Box Walk Thru Gate 4ft x 8 ft.
- (C) X4 Cattle Flow Box Panel, 5 ft 6in x 12 ft. Chain and Tab Connector on Both Sides
- (D) X1 Cattle Flow Box Panel, 5 ft 6in x 15 ft. Chain and Tab Connector on Both Sides
- (E) X1 Cattle Flow Box Bow Gate - 12ft
- (F) X1 20' Double Adjusting Alley
- (G) X2 Panel Brackets 1.5in SQ 11ga Corner
- (H) X5 Panel Brackets 1.5in SQ 11ga, Inline





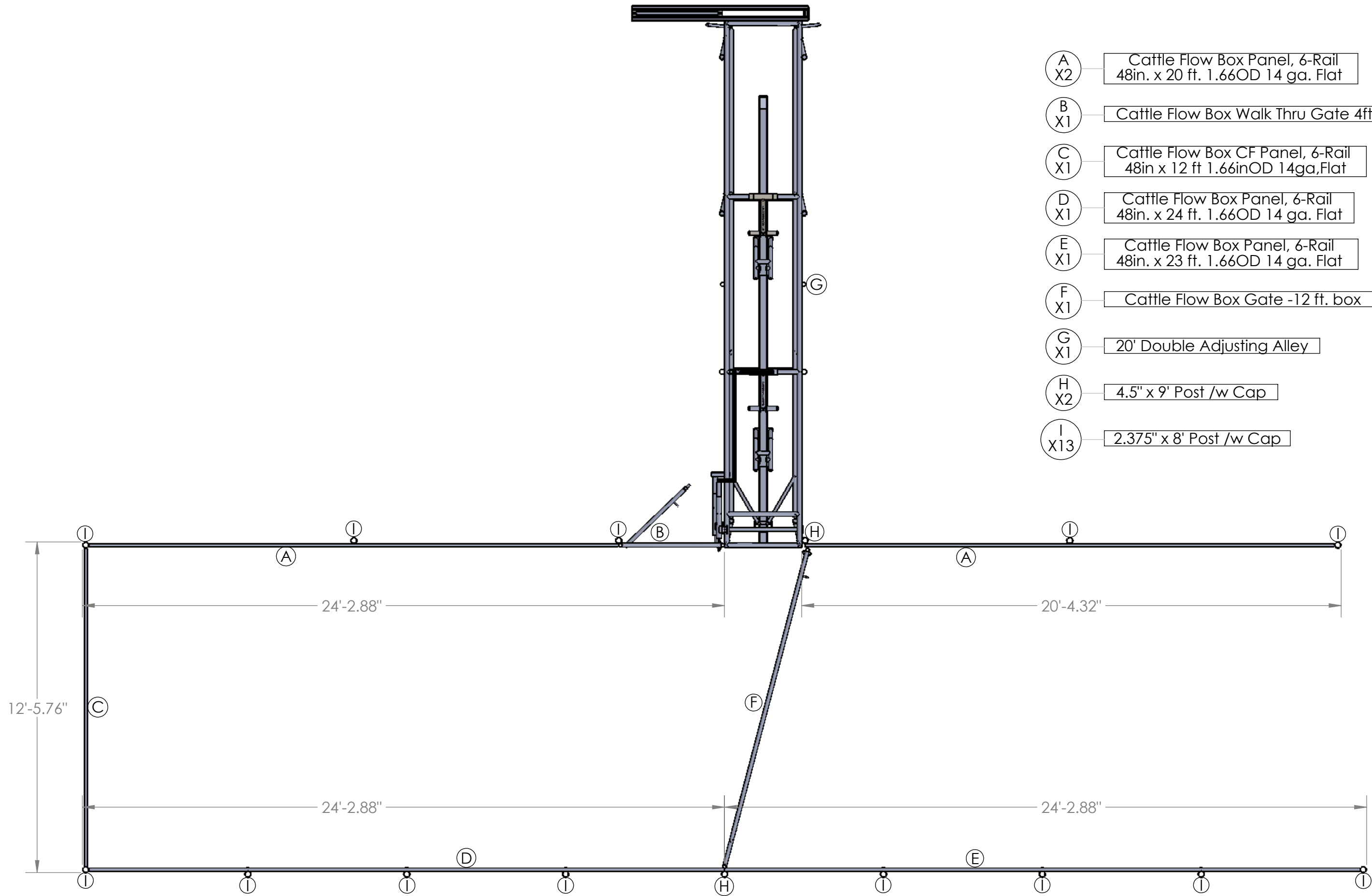
- (A) X8 Cattle Flow Box Panel, 5 ft 6in x 12 ft. Chain and Tab Connector on Both Sides
- (B) X1 Cattle Flow Box Panel, 5 ft 6in x 15 ft. Chain and Tab Connector on Both Sides
- (C) X1 Cattle Flow Box Gate -12 ft. box
- (D) X1 20' Double Adjusting Alley
- (E) X2 Panel Brackets 1.5in SQ 11ga Corner
- (F) X5 Panel Brackets 1.5in SQ 11ga, Inline

Ground Work 12' Portable Cattle Flow Box B



- Ⓐ X3 Cattle Flow Box Panel, 5 ft 6in x 15 ft.
Chain and Tab Connector on Both Sides
- Ⓑ X2 Cattle Flow Box Panel, 5 ft 6in x 10 ft.
Chain and Tab Connector on Both Sides
- Ⓒ X4 Cattle Flow Box Panel, 5 ft 6in x 12 ft.
Chain and Tab Connector on Both Sides
- Ⓓ X1 Cattle Flow Box Gate -12 ft. box
- Ⓔ X1 20' Double Adjusting Alley
- Ⓕ X2 Panel Brackets 1.5in SQ 11ga Corner
- Ⓖ X5 Panel Brackets 1.5in SQ 11ga, Inline

**Ground Work 12' Portable
Cattle Flow Box C**



- Ⓐ X2 Cattle Flow Box Panel, 6-Rail
48in. x 20 ft. 1.66OD 14 ga. Flat
- Ⓑ X1 Cattle Flow Box Walk Thru Gate 4ft x 8 ft.
- Ⓒ X1 Cattle Flow Box CF Panel, 6-Rail
48in x 12 ft 1.66inOD 14ga,Flat
- Ⓓ X1 Cattle Flow Box Panel, 6-Rail
48in. x 24 ft. 1.66OD 14 ga. Flat
- Ⓔ X1 Cattle Flow Box Panel, 6-Rail
48in. x 23 ft. 1.66OD 14 ga. Flat
- Ⓕ X1 Cattle Flow Box Gate -12 ft. box
- Ⓖ X1 20' Double Adjusting Alley
- Ⓗ X2 4.5" x 9' Post /w Cap
- Ⓘ X13 2.375" x 8' Post /w Cap

**Ground Work 12' Permanent
Cattle Flow Box A**